

Citroën 2CV Charleston



Copyright 2013. Construction by Nicolas Lespoux, Instruction by Thorsten Speitz

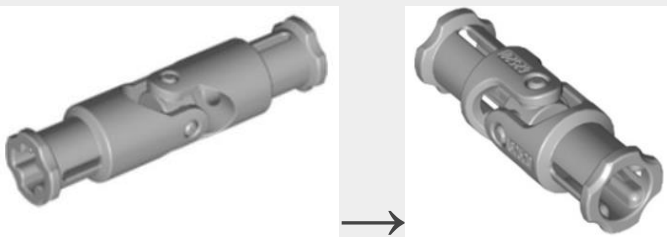
Instructions correction

Please follow carefully this document when you follow the instructions in the same time, in order to prevent building and working problem.

The up to date inventory is the [rebrickable one](#). The inventory at the end of the instructions is outdated, do not take care of it.

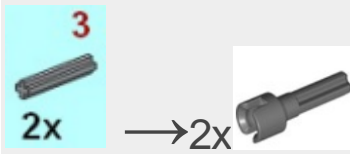
Global Viewing :

The instructions displays sometime [4L universal joints ref 9244](#) in the bill of material or partlist, but display [3L Universal U-joints ref 61903](#) in the picturing steps. You have to use [3L joints](#) and not 4L as shown in the rebrickable inventory.



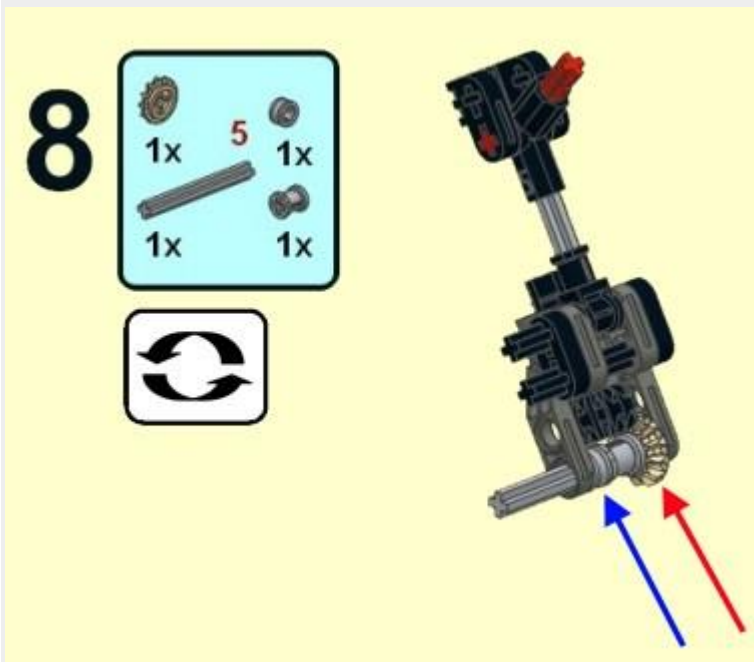
P2 / Step 8 :

Both replaced the [3L axles ref 4519](#) by [CV joint ref 92606](#).



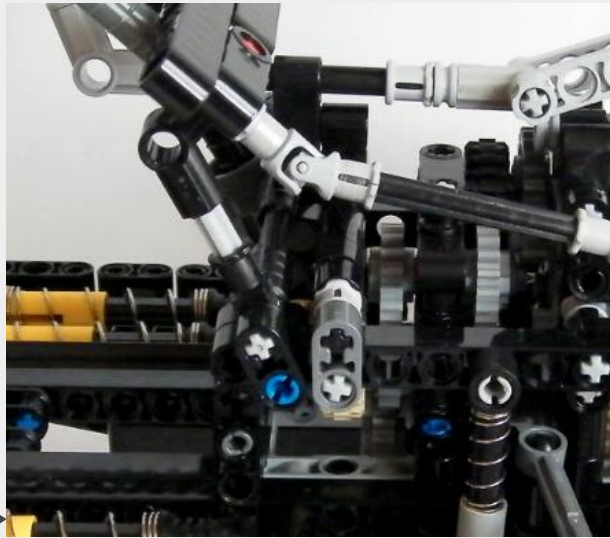
P14 / Step 8 :

The tan [12t bevel gear ref 6589 \(red arrow\)](#) has to be placed in place of the [1/2 bush ref 32123b \(blue arrow\)](#) (and the 1/2 bush in place of the bevel gear). If not, the steering will work inverted.



P16 / Step 33 :

The black [2L beam ref 60483](#) has to be rotate by 180° in order the cross hole is placed in the cross axle.



(see from the other side)

P37 / Step 21 :

Replaced the [U-Join ref 61903](#) by [CV joint ref 32494](#).



P43 / Step 21 :

Replaced the [U-Join ref 61903](#) by [CV joint ref 32494](#).



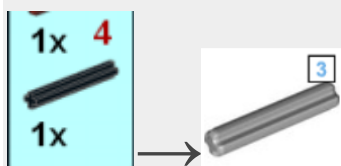
P115 / Step 6 :

Do not put the [pin ref 2780](#).



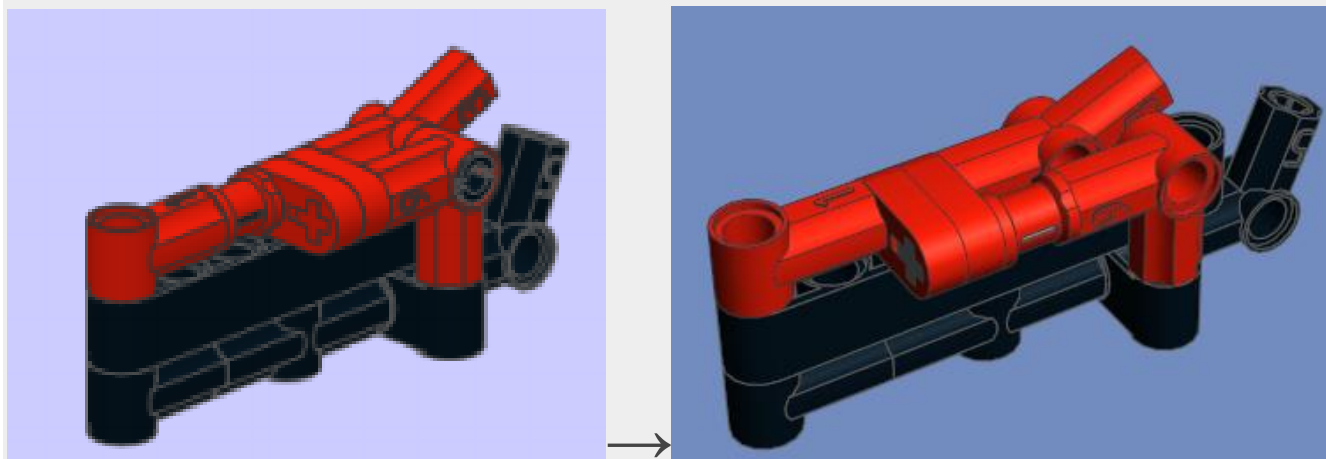
P115 / Step 7 :

Replace the [4L black axle ref 3705](#) by a [3L grey Axle ref 4519](#).



P115 (global) :

Add an [3L grey Axle ref 4519](#) and change the position of the bush in order that the assembly look like the left picture.



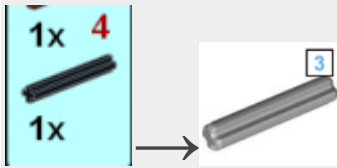
P172 / Step 6 :

Do not put the [pin ref 2780](#).



P172 / Step 7 :

Replace the [4L black axle ref 3705](#) by a [3L grey Axle ref 4519](#).



P172 (global) :

Add an [3L grey Axle ref 4519](#) and change the position of the bush in order that the assembly look like the left picture.

